

GB Instruction for use
EE Kasutusjuhend

POWERTEX Trolley PGT/PPT-S2

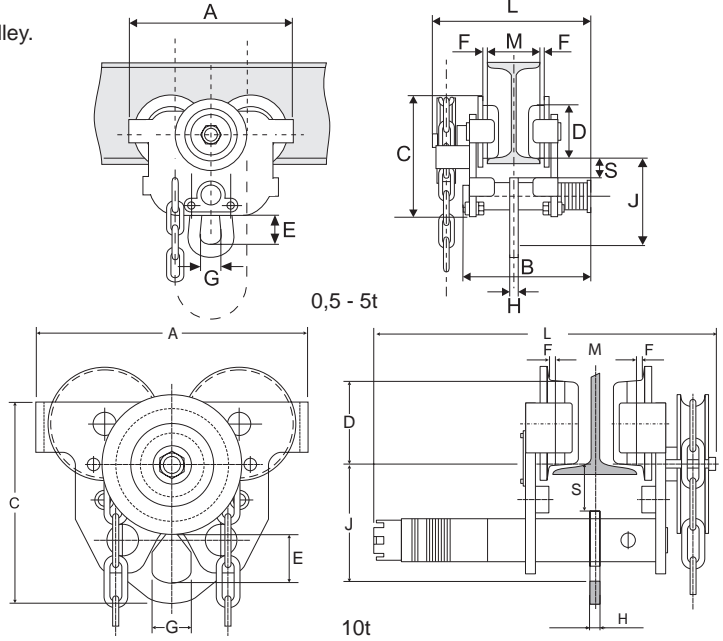


User Manual



POWERTEX Geared Trolley PGT-S2 0,5 – 10 ton Mounting / Instruction for use (GB) (Original instruction)

Read through these user instructions carefully before using the trolley.
Improper operation may lead to hazardous situations!



Data

Model	WLL (ton)	Beam width M (mm)	Minimum radius (mm)	Weight (kg)
PGT-S2	0,5	50-135	800	8,0
PGT-S2	0,5	130-215	800	8,0
PGT-S2	0,5	215-300	800	8,0
PGT-S2	1	55-140	1000	12,4
PGT-S2	1	140-215	1000	12,4
PGT-S2	1	215-300	1000	12,4
PGT-S2	2	65-155	1100	18,1
PGT-S2	2	150-230	1100	18,1
PGT-S2	2	230-300	1100	18,1
PGT-S2	3	90-160	1300	30,3
PGT-S2	3	160-230	1300	30,3
PGT-S2	3	230-300	1300	30,3
PGT-S2	5	90-180	1500	46,5
PGT-S2	5	180-230	1500	46,5
PGT-S2	5	230-300	1500	46,5
PGT-S2	10	124-305	2000	94,0

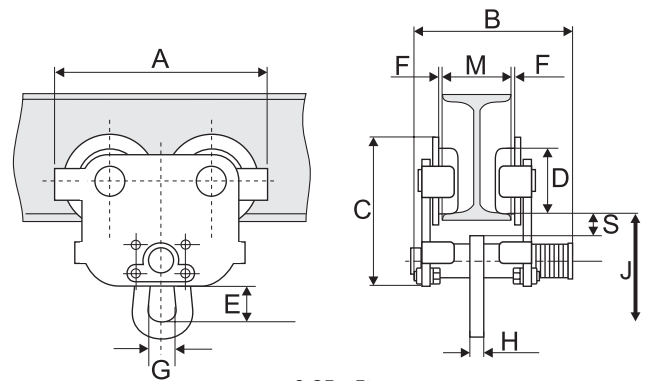
Dimensions

WLL (ton)	Beam width M (mm)	A (mm)	B (mm)	C (mm)	D (mm)	E (mm)	F (mm)	G (mm)	H (mm)	J (mm)	L (mm)	S (mm)
0,5	50-135	205	198	150	55	30	1,5 - 2	28	8	111	239	27
0,5	130-215	205	278	150	55	30	1,5 - 2	28	8	111	319	27
0,5	215-300	205	363	150	55	30	1,5 - 2	28	8	111	404	27
1	55-140	242	211	174	68	30	1,5 - 2	32	10	118	254	28
1	140-215	242	286	174	68	30	1,5 - 2	32	10	118	329	28
1	215-300	242	371	174	68	30	1,5 - 2	32	10	118	414	28
2	65-155	270	238	194	80	49	1,5 - 2	40	12	147	277	27
2	150-230	270	313	194	80	49	1,5 - 2	40	12	147	352	27
2	230-300	270	383	194	80	49	1,5 - 2	40	12	147	422	27
3	90-160	325	246	234	100	60	2 - 3	49	14	177	287	29
3	160-230	325	316	234	100	60	2 - 3	49	14	177	357	29
3	230-300	325	386	234	100	60	2 - 3	49	14	177	427	29
5	90-180	370	280	267	110	79	2 - 3	59	16	219	320	29
5	180-230	370	330	267	110	79	2 - 3	59	16	219	370	29
5	230-300	370	400	267	110	79	2 - 3	59	16	219	440	29
10	124-305	442	-	396	136	137	2 - 3,5	92	30	190	525	45

Safety factor: 4:1
Dynamic test coefficient: WLL x 1,5
Generally according to EN 13157

POWERTEX Push Trolley PPT-S2 0,5 – 5 ton

Mounting / Instruction for use (GB) (Original instruction)



0,25 - 5t

Data

Model	WLL (ton)	Beam width M (mm)	Minimum radius (mm)	Weight (kg)
PPT-S2	0,25	50-152	800	4,6
PPT-S2	0,5	50-135	800	6,8
PPT-S2	0,5	130-215	800	6,8
PPT-S2	0,5	215-300	800	6,8
PPT-S2	1	55-140	1000	11,2
PPT-S2	1	140-215	1000	11,2
PPT-S2	1	215-300	1000	11,2
PPT-S2	2	65-155	1100	16,9
PPT-S2	2	150-230	1100	16,9
PPT-S2	2	230-300	1100	16,9
PPT-S2	3	90-160	1300	28,6
PPT-S2	3	160-230	1300	28,6
PPT-S2	3	230-300	1300	28,6
PPT-S2	5	90-180	1500	44,8
PPT-S2	5	180-230	1500	44,8
PPT-S2	5	230-300	1500	44,8

Dimensions

WLL (ton)	Beam width M (mm)	A (mm)	B (mm)	C (mm)	D (mm)	E (mm)	F (mm)	G (mm)	H (mm)	J (mm)	S (mm)
0,25	50-152	188	208	137	50	29	1 – 1,5	28	6	104	27
0,5	50-135	205	198	150	55	30	1,5 – 2	28	8	111	27
0,5	130-215	205	278	150	55	30	1,5 – 2	28	8	111	27
0,5	215-300	205	363	150	55	30	1,5 – 2	28	8	111	27
1	55-140	242	211	174	68	30	1,5 – 2	32	10	118	28
1	140-215	242	286	174	68	30	1,5 – 2	32	10	118	28
1	215-300	242	371	174	68	30	1,5 – 2	32	10	118	28
2	65-155	270	238	194	80	49	1,5 – 2	40	12	147	27
2	150-230	270	313	194	80	49	1,5 – 2	40	12	147	27
2	230-300	270	383	194	80	49	1,5 – 2	40	12	147	27
3	90-160	325	246	234	100	60	2 - 3	49	14	177	29
3	160-230	325	316	234	100	60	2 – 3	49	14	177	29
3	230-300	325	386	234	100	60	2 – 3	49	14	177	29
5	90-180	370	280	267	110	79	2 - 3	59	16	219	29
5	180-230	370	330	267	110	79	2 – 3	59	16	219	29
5	230-300	370	400	267	110	79	2 – 3	59	16	219	29

Safety factor: 4:1
 Dynamic test coefficient: WLL x 1,5
 Generally according to EN 13157

1. Proper usage

Usage:

The trolleys can be used for I-beams with plane flanges (such as IPE, HEA or HEB types) or beams with sloping flanges (such as INP-beams).

The possible width ranges are shown in the data tables.

The trolley is a rolling and geared chassis for attaching to lifting gear for use inside.

It is not suitable for continuous operation.

It is not suitable for use in rooms where there is a potential risk of explosions.

It is not suitable for use in aggressive atmospheres.

The unit should be installed if possible in a covered room. If it is installed outdoors a roof is to be provided or the unit is to be covered.

Modifications to the lifting gear are only permitted with our express consent in writing.

Refer to the technical data and function description.

Safety instructions

Operation and servicing must be left strictly to: authorized, trained personnel.

- Only install the trolley on girders whose load capacity has been checked previously.
- Do not install the trolley on tapered girders.
- Stops on the ends of girders must not be moved or removed.
- Do not transport personnel or allow personnel to be located in the danger area.
- Do not allow the load to swing.
- Do not stand under a raised load.
- Never reach into moving parts.
- Defects are to be rectified immediately by trained personnel.
- Never leave the load off the ground without supervision.
- Loads may only be raised vertically. Do not raise loads at an angle.
- Do not use the trolley to pull items out of other items, release them or drag them sideways.
- The trolley may only be used to push or pull the load.
- Do not exceed the load capacity set out in the technical data.
- Check the raceway width and adjust the distance between the chassis flanges using the figures in the table.
- The hand chain is only designed for moving the load attached to the lifting gear and must not be used for any other purpose.
- High strength parts such as the chain, hook and gear parts must not come into contact with free hydrogen, acids, alkalis, vapour or very aggressive cleaning products. They may become brittle and fracture.
- Conduct a risk analysis before use and verify EC conformity.
- Working temperature: -10°C to +50°C.

The chassis chain (hand chain)

- is only designed for moving the trolley and must not be used for any other purposes.
- must not be used to attach a load.
- must not be drawn over sharp edges.
- must not be twisted.
- Before you use the trolley check that it is correctly mounted on the girder.
- Conduct a visual inspection of the rollers every day. Pay special attention to the lateral play between the raceway girder and the rollers.
- Check that the bolts are secure and that the traverse is secure.

Commissioning

Function description

The roller chassis may only be pulled on the load, the load hook or the load chain of the lifting gear.

The roller chassis is to be attached to a horizontal raceway girder.

The raceway girder must be flat and horizontal.

The chassis width may be adjusted by spacing to the relevant girder width.

The chassis is designed without a brake.

The attached load may be moved either by pushing or pulling the load (rolling chassis) or by pulling the hand chain (gear chassis).

The movement speed should be such that the load can be braked by the user at any time.

Assembly and installation of the trolley on the girder

The trolleys can be adjusted to various girder flange widths.

1. Establish the girder dimensions (M) (flange width).
2. Check conformity with the data sheet.

Installation instruction

1. Measure the width of the beam
2. Assemble the trolley with the required number of spacer washers on the carrying axle between the trolley side plates so that there is a slight clearance of F mm each side between the trolley's wheel flanges and the beam width. Make sure to have the same number of washers on each side of the lifting ring so the load is centered. There must always be at least one washer on the inside and outside of each trolley side plate
3. The remaining washers need to be placed at the outer side of the trolley side plate opposite to the mounting plate or chain wheel.
4. Fit the trolley on the beam and tighten the mount-plate by hand and make sure all wheels roll on the beam. Tighten the nuts of the mounting plate with a wrench
5. Load the trolley and move it over the beam to check it runs smoothly. If the wheel flanges are too far from the beam or grinding against it, readjust the trolley by removing or adding washers between the trolley side plates.

Commissioning

Ensure that the chains are correctly positioned; they must not be twisted and must hang freely.

Always refer to the operating manual of the lifting gear you are using.

The open meshing on the drive unit should be greased.

Function test:

Carefully move the chassis to the limit position and check the position of the limit stops.

Operation

Move the load by pulling the hand chain or by pushing the load.

Do not stand under a raised load.

Media / Recommended lubricants

Recommended lubricant for greasing points:

- Meshing, drive pinion

Multi-purpose grease DIN 51825 T1 K2K

After use the lubricant must be disposed of in compliance with the statutory regulations.



Eye connection/direct connection

The eye connection can be rotated 90° to allow direct connection between hoist and trolley, without use of hook/eye. Such direct connection must only be made by authorized distributor.

Inspection and servicing instructions

Safety instructions

Remove all the strain from the girder trolley by suitable means before carrying out inspection and servicing work

Inspection intervals Conduct an expert inspection before commissioning	Servicing and inspection work
Daily	Visual inspection of rollers (for signs of cracks and deformation) Visual inspection of the chain Function of the unit Adjustment range, visual inspection of the track width lateral play
Quarterly	The rollers are fitted with ball bearings that are lubricated for life
Every six months	Check the condition of the hand chain (remove sharp edges as they constitute an injury risk) Check screw connections. Grease the meshing on the rollers and drive pinion.
Every year	Check that the model plate is completely legible. Have the annual test carried out by an expert

The service life of the unit is limited, worn parts must be replaced promptly by an expert. Contact your dealer for parts in general.

Problem	Cause	Servicing and inspection work
The girder trolley can only be moves with difficulty.	No grease in the bearings and meshing.	Visual inspection of rollers (for signs of cracks or deformation)
	Dirt or other foreign bodies on load girder.	Visual inspection of the chain Function of the unit
	Girder deformed	Adjustment range, visual inspection of the track width lateral play

Instruction Grey Label

To change your new POWERTEX Trolley to Blackline:

If the product should be used in dark environments, add the grey label on the product's nameplate like this.

The data on the nameplate should ALWAYS be visible, and must NOT be covered.

End of use/Disposal:



After the trolleys have been taken out of use, the parts of the block and tackle are to be recycled or disposed of in compliance with the statutory regulations.

Disclaimer

We reserve the right to modify product design, materials, specifications or instructions without prior notice and without obligation to others.

If the product is modified in any way, or if it is combined with a non-compatible product/component, we take no responsibility for the consequences in regard to the safety of the product.

EC Declaration of conformity

SCM Citra OY

Asessorinkatu 3-7

FI-20780 Kaarina

Finland

www.powertex-products.com

hereby declares that the POWERTEX product as described above is in compliance with EC Machinery Directive 2006/42/EC & EN 13157.

UK Declaration of conformity

SCM Citra OY

Asessorinkatu 3-7

20780 Kaarina, Finland

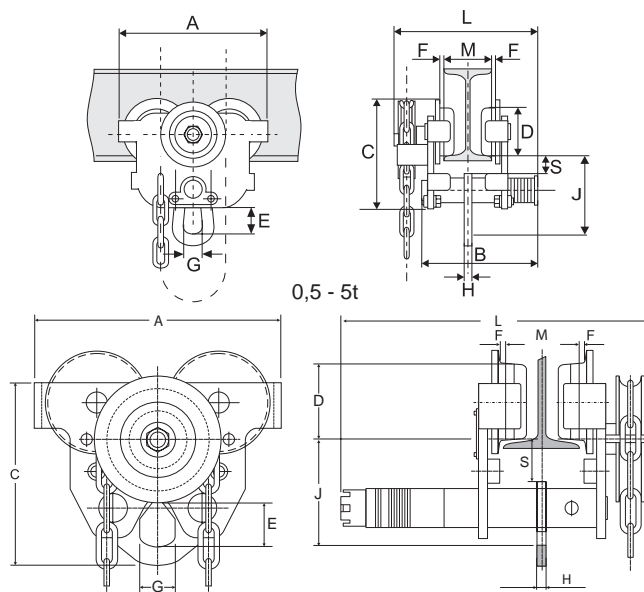
www.powertex-products.com

hereby declares that the POWERTEX product as described above is in compliance with the Supply of Machinery (Safety) Regulations 2008 & BS EN 13157.

POWERTEX Kettajamiga siirdevanker 0,5 – 5 tonni

Paigaldamine / kasutusjuhend (EE)

Lugege need kasutusjuhised tähelepanelikult läbi enne siirdevankri kasutamata hakkamist. Valesti kasutamine võib põhjustada ohtlikke olukordi!



Tehnilised andmed

Tootekood	Mudel	WLL (ton)	M tala talla laius (mm)	Aasa min. raadius (mm)	Kaal (kg)
16.05PGTS2005	PGT-S2	0,5	50-135	800	8,0
16.05PGTS2005B	PGT-S2	0,5	130-215	800	8,0
16.05PGTS2005C	PGT-S2	0,5	215-300	800	8,0
16.05PGTS2010	PGT-S2	1	55-140	1000	12,4
16.05PGTS2010B	PGT-S2	1	140-215	1000	12,4
16.05PGTS2010C	PGT-S2	1	215-300	1000	12,4
16.05PGTS2020	PGT-S2	2	65-155	1100	18,1
16.05PGTS2020B	PGT-S2	2	150-230	1100	18,1
16.05PGTS2020C	PGT-S2	2	230-300	1100	18,1
16.05PGTS2030	PGT-S2	3	90-160	1300	30,3
16.05PGTS2030B	PGT-S2	3	160-230	1300	30,3
16.05PGTS2030C	PGT-S2	3	230-300	1300	30,3
16.05PGTS2050	PGT-S2	5	90-180	1500	46,5
16.05PGTS2050B	PGT-S2	5	180-230	1500	46,5
16.05PGTS2050C	PGT-S2	5	230-300	1500	46,5
16.05PGTS2100	PGT-S2	10	124-305	2000	94,0

Mõõtmed

WLL (ton)	M tala talla laius (mm)	A (mm)	B (mm)	C (mm)	D (mm)	E (mm)	F (mm)	G (mm)	H (mm)	J (mm)	L (mm)	S (mm)
0,5	50-135	205	198	150	55	30	1,5 – 2	28	8	111	239	27
0,5	130-215	205	278	150	55	30	1,5 – 2	28	8	111	319	27
0,5	215-300	205	363	150	55	30	1,5 – 2	28	8	111	404	27
1	55-140	242	211	174	68	30	1,5 – 2	32	10	118	254	28
1	140-215	242	286	174	68	30	1,5 – 2	32	10	118	329	28
1	215-300	242	371	174	68	30	1,5 – 2	32	10	118	414	28
2	65-155	270	238	194	80	49	1,5 – 2	40	12	147	277	27
2	150-230	270	313	194	80	49	1,5 – 2	40	12	147	352	27
2	230-300	270	383	194	80	49	1,5 – 2	40	12	147	422	27
3	90-160	325	246	234	100	60	2 – 3	49	14	177	287	29
3	160-230	325	316	234	100	60	2 – 3	49	14	177	357	29
3	230-300	325	386	234	100	60	2 – 3	49	14	177	427	29
5	90-180	370	280	267	110	79	2 – 3	59	16	219	320	29
5	180-230	370	330	267	110	79	2 – 3	59	16	219	370	29
5	230-300	370	400	267	110	79	2 – 3	59	16	219	440	29
10	124-305	442	-	396	136	137	2 – 3,5	92	30	190	525	45

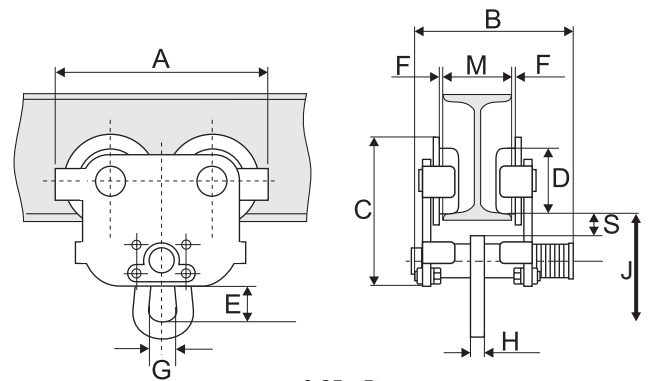
Varutegur: 4:1

Dünaamilise katse koefitsient: WLL x 1,5

Üldiselt vastavalt standardile EN 13157

POWERTEX Siirdevanker PPT-S2 0,5 – 5 tonni

Paigaldamine / kasutusjuhend (EE)



0,25 - 5t

Tehnilised andmed

Tootekood	Mudel	WLL ton (ton)	M tala talla laius (mm)	Aasa min. raadius (mm)	Kaal (kg)
16.05PPTS20025	PPT-S2	0,25	50-152	800	4.6
16.05PPTS2005	PPT-S2	0,5	50-135	800	6.8
16.05PPTS2005B	PPT-S2	0,5	130-215	800	6.8
16.05PPTS2005C	PPT-S2	0,5	215-300	800	6.8
16.05PPTS2010	PPT-S2	1	55-140	1000	11.2
16.05PPTS2010B	PPT-S2	1	140-215	1000	11.2
16.05PPTS2010C	PPT-S2	1	215-300	1000	11.2
16.05PPTS2020	PPT-S2	2	65-155	1100	16.9
16.05PPTS2020B	PPT-S2	2	150-230	1100	16.9
16.05PPTS2020C	PPT-S2	2	230-300	1100	16.9
16.05PPTS2030	PPT-S2	3	90-160	1300	28.6
16.05PPTS2030B	PPT-S2	3	160-230	1300	28.6
16.05PPTS2030C	PPT-S2	3	230-300	1300	28.6
16.05PPTS2050	PPT-S2	5	90-180	1500	44.8
16.05PPTS2050B	PPT-S2	5	180-230	1500	44.8
16.05PPTS2050C	PPT-S2	5	230-300	1500	44.8

Mõõtmed

WLL (ton)	M tala talla laius (mm)	A (mm)	B (mm)	C (mm)	D (mm)	E (mm)	F (mm)	G (mm)	H (mm)	J (mm)	S (mm)
0,25	50-152	188	208	137	50	29	1 – 1,5	28	6	104	27
0,5	50-135	205	198	150	55	30	1,5 – 2	28	8	111	27
0,5	130-215	205	278	150	55	30	1,5 – 2	28	8	111	27
0,5	215-300	205	363	150	55	30	1,5 – 2	28	8	111	27
1	55-140	242	211	174	68	30	1,5 – 2	32	10	118	28
1	140-215	242	286	174	68	30	1,5 – 2	32	10	118	28
1	215-300	242	371	174	68	30	1,5 – 2	32	10	118	28
2	65-155	270	238	194	80	49	1,5 – 2	40	12	147	27
2	150-230	270	313	194	80	49	1,5 – 2	40	12	147	27
2	230-300	270	383	194	80	49	1,5 – 2	40	12	147	27
3	90-160	325	246	234	100	60	2 – 3	49	14	177	29
3	160-230	325	316	234	100	60	2 – 3	49	14	177	29
3	230-300	325	386	234	100	60	2 – 3	49	14	177	29
5	90-180	370	280	267	110	79	2 – 3	59	16	219	29
5	180-230	370	330	267	110	79	2 – 3	59	16	219	29
5	230-300	370	400	267	110	79	2 – 3	59	16	219	29

Varutegur: 4:1

Dünaamilise katse koefitsient: WLL x 1,5

Üldiselt vastavalt standardile EN 13157

1. Õige kasutamine

Siirdevankreid saab kasutada tasapinnaliste tallaga I-taladel jaoks (nt tüübid IPE, HEA või HEB) või kaldtallaga talade jaoks (nt INP-talad).

Võimalikud laiusvahemikud on näidatud andmete tabelites.

Siirdevanker on lükatav või kettajamiga liigutatav abivahend tõstevahendite kinnitamiseks siseruumi tingimustes.

See ei sobi olukorras, kus rakendub pidev koormus.

See ei sobi kasutamiseks ruumides, kus on potentsiaalne plahvatusoht.

See ei sobi kasutamiseks agressiivse keskkonna tingimustes.

Seade tuleb võimalusel paigaldada katusega ruumi. Välja paigaldamisel tuleb tagada katuse olemasolu või tuleb seade katta kattega.

Tõsteseadeldise muutmise on lubatud ainult meie selge kirjaliku nõusoleku alusel.

Vt. tehnilisi andmeid ja kasutamise kirjeldust.

Ohutusjuhised

Seadet võivad kasutada ja hooldada ainult volitatud ja väljaõppe saanud töötajad.

- Paigaldage siirdevanker ainult nendele taladele, mille kandevõimet on eelnevalt kontrollitud.
- Ärge paigaldage siirdevankreid kaardus taladele.
- Tala lõpus olevaid tõkesteid ei tohi liigutada ega eemaldada.
- Ärge transportige töötajaid ega lubage töötajatel viibida ohualas.
- Ärge laske koormusel kiikuda.
- Ärge seiske ülestõstetud koormuse all.
- Hoiduge liikuvate osade vahele sattumise eest.
- Ilmnenud puudused tuleb koheselt kõrvaldada spetsiaalse väljaõppe saanud töötaja poolt.
- Ärge kunagi jätke maast üles tõstetud koormust ilma järelevalveta.
- Koormuseid võib tõsta ainult vertikaalselt. Ärge tõstke koormuseid nurga all.
- Ärge kasutage siirdevankrit esemete välja tõmbamiseks teiste esemete sees, ärge neid vabastage ega tõmmake külgsuundades.
- Siirdevankrit tohib kasutada ainult kandami lükkamiseks või tõmbamiseks.
- Ärge ületage tehnilistes andmetes määratud kandevõimet.
- Kontrollige I- tala talla laiust ja reguleerige korpuse äärikute vahelist kaugust, kasutades tabelis toodud näitusid.
- Käsikett on valmistatud ainult tõsteseadeldise külge kinnitatud koormuse liigutamiseks ja seda ei tohi kasutada ühelgi teisel eesmärgil.
- Suure tugevusteguriga osad, nt kett, konks ja ajami osad, ei tohi kunagi puutuda kokku vaba vesinikuga, hapetega, leelistega, aurudega ega väga agressiivsete puhastusvahenditega. Need osad võivad muutuda hapraks ja mõraliseks.
- Enne kasutamist tehke riskianalüüs ja veenduge vastavuses EÜ vastavustunnistusele.
- Töötemperatuur: -10°C ...+50°C.

Siirdevankri kett (käsikett)

- See on valmistatud ainult siirdevankri liigutamiseks ja seda ei tohi kasutada ühelgi teisel eesmärgil.
- Seda ei tohi kasutada koormuse kinnitamiseks.
- Seda ei tohi tõmmata üle teravate servade.
- Seda ei tohi väänata.
- Enne siirdevankri kasutamist veenduge, et see on talale õigesti paigaldatud.
- Kontrollige rullikuid iga päev visuaalselt. Pöörake erilist tähelepanu tala ja rullikute vahelisele külglõtkule.
- Veenduge, et poldid on kinni keeratud ja konstruktsioon on fikseeritud.

Kasutuselevõtmine

Kasutamise kirjeldus

Liugkorpust võib liigutada ainult koormusest, kormuse konksust või tõsteabivahendi koormusetist.

Liugkorpus tuleb kinnitada horisontaalsele tala tallale.

Tala tald peab olema sile ja horisontaalne.

Korpuse laiust saab reguleerida vastavalt tala talla laiusele.

Siirdevanker on valmistatud ilma pidurita.

Kinnitatud koormust saab liigutada kas seda lükates või tõmmates (siirdevanker) või käsikett ajamiga (kettajamiga siirdevanker).

Liikumiskiirus peab olema selline, et kasutaja saab koormust peatada mis tahes ajal. Arvestage tõstekoormuse massi.

Siirdevankri kokkupanek ja paigaldamine talale

Siirdevankrit saab kohandada erinevatele tala talla laiustele.

1. Tehke kindlaks tala mõõtmed (M) (talla laiust).
2. Veenduge vastavuses tehniliste andmetele.

Paigalduse juhised

1. Mõõda tala talla laiust
2. Paigalda siirdevanker vajaliku arvu vaheseibidega tõstepoldile küljplaatide vahel selliselt, et kummalgi pool oleks siirdevankri küljplaatide ja tala talla vahel vaba ruumi F mm. Ole kindel, et tõstepoldil on kummalgi pool võrdtsel arvul vaheseibe, et koormus oleks tasakaalus. Vaheseibe peab olema alati vähemalt üks kummalgi pool siirdevankri küljplaate
3. Üleliigsed vaheseibid tuleb paigaldada siirdevankri küljplaadist väljapoole, kinnitusplaadist või ketirattast vastas poolele
4. Seadista siirdevanker talale ja pinguta kinnitusplaadi kinnitust käsitsi. Veendu, et rullid veerevad tala tallal. Seejärel pinguta kinnitust mutivõt-mega
5. Koorma siirdevanker ja liiguta seda mööda tala veendumaks, et see liigub sujuvalt. Kui siirdevankri küljplaadid on tala taldadest liiga kaugel või käivad nende vastu siis seadista siirdevanker ümber lisades või eemaldades vaheseibe

Kasutuselevõtmine

Veenduge, et ketid on paigaldatud õigesti; need ei tohi olla keerdus ja peavad rippuma vabalt.

Vt. alati kasutatava tõsteseabivahendi kasutusjuhendit.

Ajamiseadmeh olevaid katmata hammasmehhanisme tuleb määrada.

Kasutamise kontrollimine:

Liigutage siirdevanker ettevaatlikult piirasendisse ja kontrollige piirtõkestite asendit.

Kasutamine

Liigutage koormust kas käsiketti tõmmates või koormust lükates.

Ärge seiske ülestõstetud koormuse all.

Vahendid / soovitatavad määrdeained.

Soovitav määrdeaine määrdepunktilede:

- Hammasmehhanism, koonusrattad

Mitmeotstarbeline määre vastavalt standardile DIN 51825 T1 K2K

Pärast kasutamist tuleb määrdeaine kasutuselt eemaldada vastavalt nõuetele.



Riputusaasaga ühendus/otseühendus

Riputusaasa saab pöörata 90°, mis võimaldab tali ühendada siirdevankriga, ilma riputuskonksuta. Sellise ühenduse tohib teha ainult volitatud edasimüüja.

Kui toodet muudetakse mis tahes viisil või kasutatakse seda koos mitteühilduva tootega/osaga, siis me ei vastuta toote ohutusega seotud tagajärgede eest.

Kontrollimis- ja hooldusjuhised

Ohutusjuhised

Enne kontrollimis- ja hooldustöid vabastage siirdevanker asjakohaste vahenditega täielikult koormuse alt.

Kontrollimisintervallid Enne kasutuselevõtmist viige läbi ekspertkontroll.	Hooldus- ja ülevaatus tööd
Iga päev	Kontrollige rullikuid visuaalselt (mõrade ja deformatsioonimärkide suhtes). Kontrollige ketti visuaalselt. Kontrollige seadme talitlust. Reguleerige vahemikku, kontrollige visuaalselt raja laiuse külgloksu.
Kord kvartalis	Rullikutel on kuullaagrid, mis on määratud kogu kasutusajaks.
Iga kuue kuu järel	Kontrollige käsiketi seisukorda (eemaldage teravad servad, sest need põhjustavad kehavigastusohu). Kontrollige kruviühendusi. Määrige ajami ja koonusrattal mehhanisme.
Kord aastas	Veenduge, et etikett on täielikult loetav. Laske iga-aastast kontrolli läbi viia eksperdil.

Seadme kasutusaeg on piiratud. Ekspert peab kulunud osad koheaselt asendama uutega.

Varuosasid puudutavate üldküsimustega pöörduge edasimüüja poole.

Probleem	Põhjus	Hooldus- ja ülevaatus tööd
Siirdevankrit saab liigutada ainult raskustega.	Laagritel ja hammasmehhanismil ei ole määrdeainet.	Kontrollige rullikuid visuaalselt (mõrade või deformatsioonimärkide suhtes)
	Mustus või muu võõrmaterjal siirdevankris.	Kontrollige ketti visuaalselt. Kontrollige seadme talitlust
	Tala on deformeerunud.	Reguleerige vahemikku, kontrollige visuaalselt raja laiuse külgloksu.

Halli sildi juhend

Uute POWERTEX siirdevankrite muutmiseks Black Line siirdevankriteks:

Kui toodet peab kasutama pimedas või hämaras keskkonnas, lisage toote etiketile hall silt järgmisel moel.

Etiketil olevad andmed peavad olema ALATI nähtaval ja neid EI TOHI kinni katta.

Kasutuselt kõrvaldamine:



Kui siirdevankrid on kasutuselt kõrvaldatud, tuleb ploki ja veoseadeldiste osad saata taaskasutusse või kasutuselt kõrvaldada vastavalt kohustuslikele nõuetele.

Kohustustest loobumine

Jätame endale õiguse muuta toote disaini, materjale, spetsifikatsioone või juhiseid ilma sellest ette teatamata ja teistele kohustust võtmata.

Kui toodet muudetakse mingil viisil või kui see on kombineeritud ühildumatu toote / komponendiga, ei võta me vastutust toote ohutusega seotud tagajärgede eest.

Vastavusdeklaratsioon

SCM Citra OY

Asessorinkatu 3-7

FI-20780 Kaarina

Soome

www.powertex-products.com

deklareerin, et ülalkirjeldatud POWERTEX toode vastab EÜ masinadirektiivile 2006/42 / EÜ & EN 13157.

CertMax+

The CertMax+ system is a unique leading edge certification management system which is ideal for managing a single asset or large equipment portfolio across multiple sites. Designed by the Lifting Solutions Group, to deliver optimum asset integrity, quality assurance and traceability, the system also improves safety and risk management levels.

CertMax

Marking

The POWERTEX Trolley is equipped with a RFID (Radio-Frequency IDentification) tag, which is a small electronic device, that consist of a small chip and an antenna. It provides a unique identifier for the product.



The POWERTEX Trolleys are **CE** and **UKCA** marked.

Standard: EN 13157



User Manuals

You can always find the valid and updated User Manuals on the web. The manual is updated continuously and valid only in the latest version.

NB! The English version is the Original instruction.

The manual is available as a download under the following link:
www.powertex-products.com/manuals



Product compliance and conformity

SCM Citra OY
Asessorinkatu 3-7
20780 Kaarina
Finland
www.powertex-products.com



POWERTEX

www.powertex-products.com